



CRYSTAL UNIT

SX-2520

Applications

- Mobile Communication / Bluetooth / Wireless LAN

Features

- Ultra thin / Dimensions (2.5 × 2.0 × 0.55)
- Ceramic SMD Package
- Vacuum Seam Sealed
- Tight Tolerance and Stability
- Reflow Soldering / Emboss Taping
- Compliant products with AEC-Q200

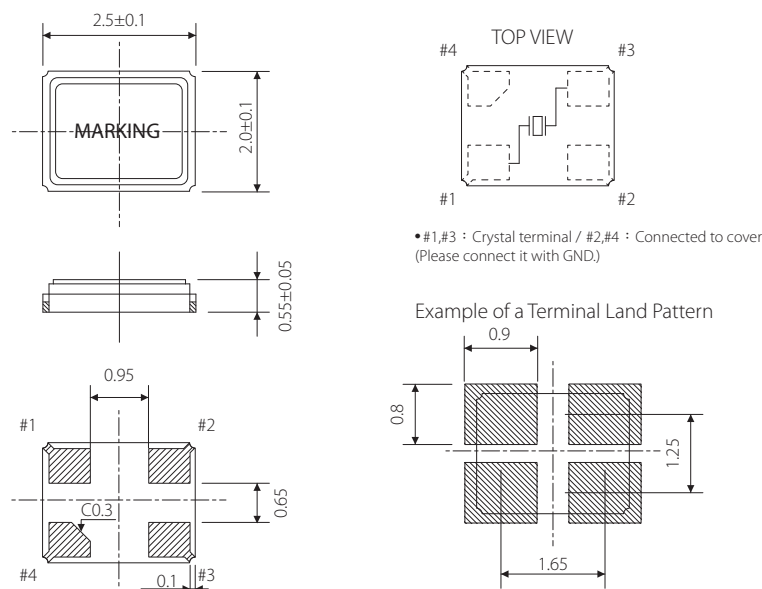
Specifications



| Model | SX-2520 | |
|---|---|-------------------------|
| Nominal frequency range | 12.000~66.000 MHz | |
| Crystal cut | Fundamental [AT-cut] | |
| Storage temperature range | -40~+90°C; -40~+125°C (For AEC-Q200) | |
| Operating temperature range | -10~+60°C | -30~+85°C |
| Frequency temperature characteristics (Ref. to +25°C) | $\pm 10 \times 10^{-6}$ | $\pm 15 \times 10^{-6}$ |
| Frequency tolerance (at +25°C) | $\pm 10 \times 10^{-6}$ | |
| Equivalent series resistance | 200Ω: 12.000~12.999 MHz 40 : 35.000 66.000MHz 150Ω: 13.000~15.999 MHz 80Ω: 16.000~19.999 MHz 60Ω: 20.000~29.999 MHz 50Ω: 30.000~34.999 MHz | |
| Load capacitance | 8pF, 12pF | |
| Shunt capacitance | 5pF max. | |
| Level of drive | 10 μW (100 μW max.) | |

Package quantity: 3,000pcs max./Reel.
The product is suitable for Car multimedia, Car accessory application.

Outline and Dimensions [unit:mm]



| Maximum marking length | | Marking |
|------------------------|-------|---|
| line1 | line2 | |
| 4 | 4 | Laser |
| ex.) | | <div style="border: 1px solid black; padding: 5px; display: inline-block;"> 40 . 0 S G A </div> |